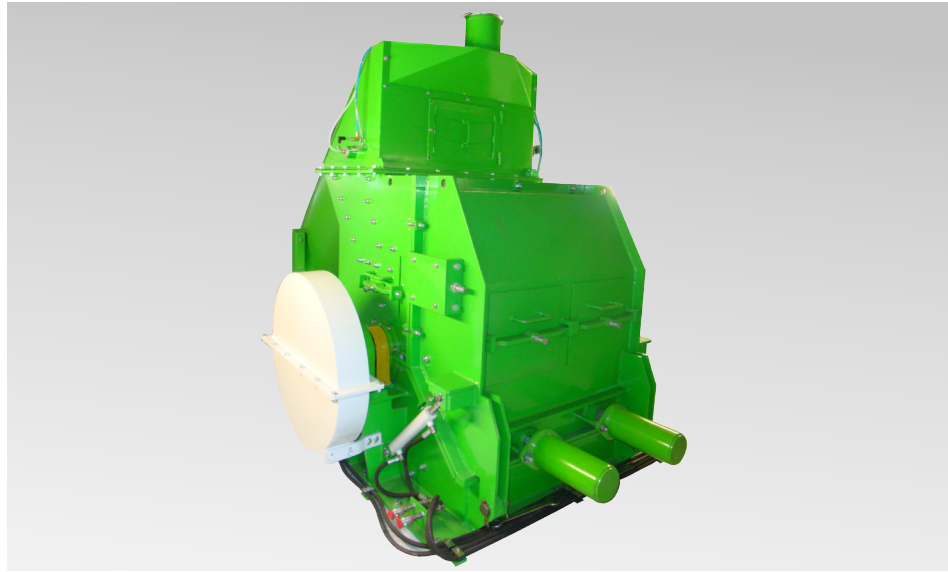


ERDWICH
HAMMER MILL

HA800/1-1000



Advantages and special features:

ERDWICH Hammermill HA800/1-1000

■ Simple maintenance:

- | Two hydraulically powered housing access points
- | Easy-to-replace grinding elements on the impact rotor

■ Savings on operating costs:

- | Reversible grinding elements with long service lives
- | Extremely hard-wearing mill rotor

■ Configurable throughput and particle size:

- | Milling gap individually configurable, simple replacement of grinding elements
- | Configurable rotor speeds

■ Moist material processing possible:

- | With externally placed shaft bearings and specialised housing seals no milled product or dust can enter the bearings.

■ Low-noise, low-dust operation

- | With optionally available soundproofing housing
- | Specialised shaft and housing seals, plus corresponding extraction points

■ Efficient, safe operation:

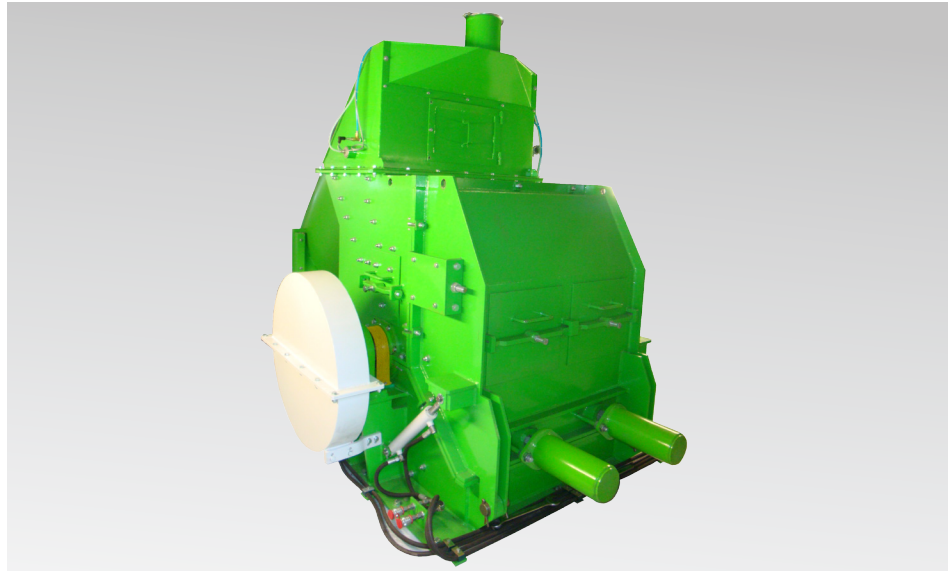
- | PLC unit, offering an overload cut-out to protect the machine from overloading or solid parts



ERDWICH
... SHREDDING UNLIMITED ...

ERDWICH
HAMMER MILL

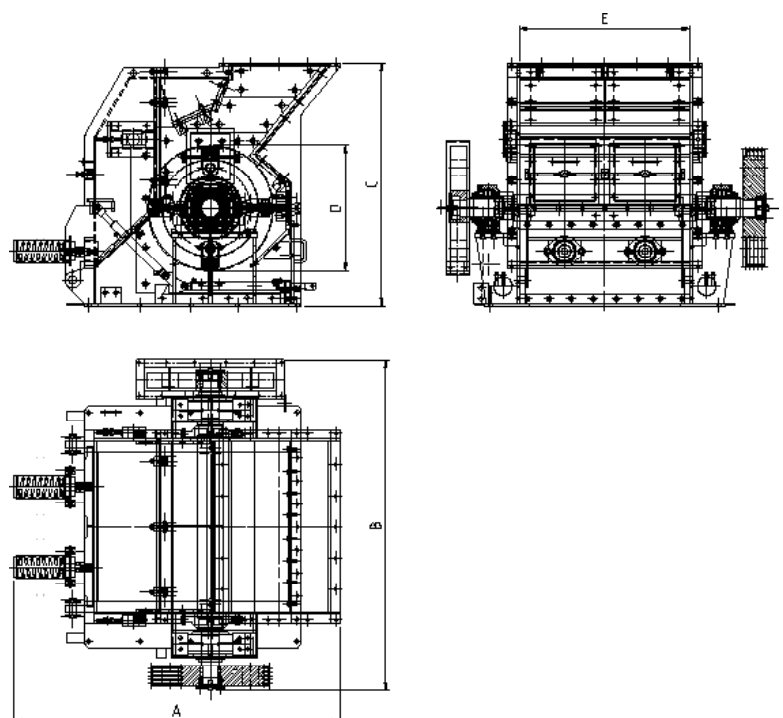
HA800/1-1000



Technical Data:

Typ	Amount of Rotors	Drive Power	Rotor length/ diameter (mm)	Weight (kg)	Mill gap
HA800/1-1000	1	45 - 90 kW	1.000 x 800	9.000	8-100

Dimensions:		
	Dimension	HA800/1-1000
Total length A	mm	2.100
Total width B	mm	2.100
Cutting unit height C	mm	1.560
Cutting unit width/ Rotor diameter D	mm	800
Cutting unit length E	mm	1000



Subject to technical changes.