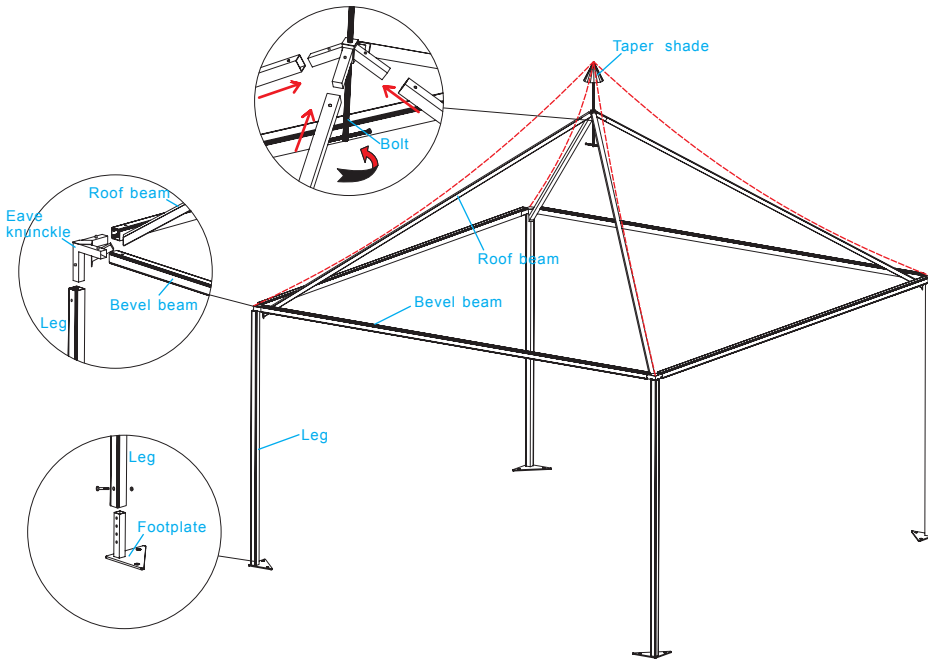


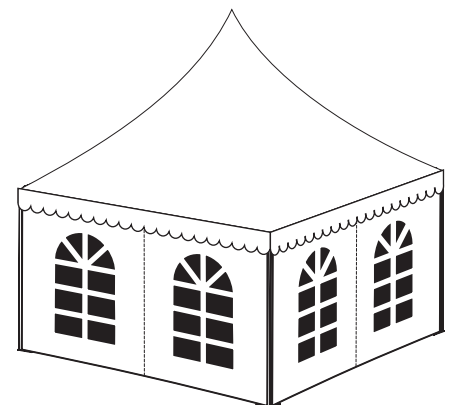
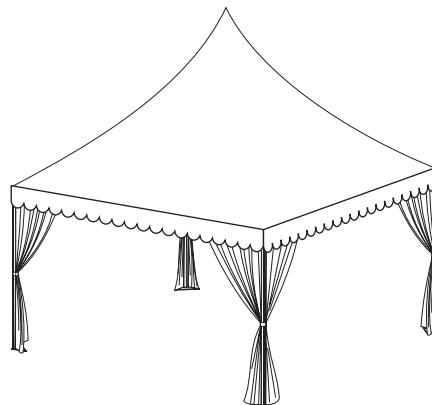
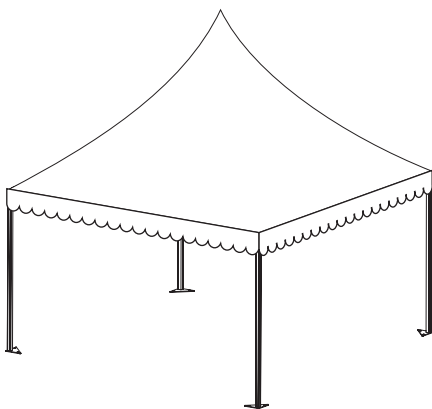
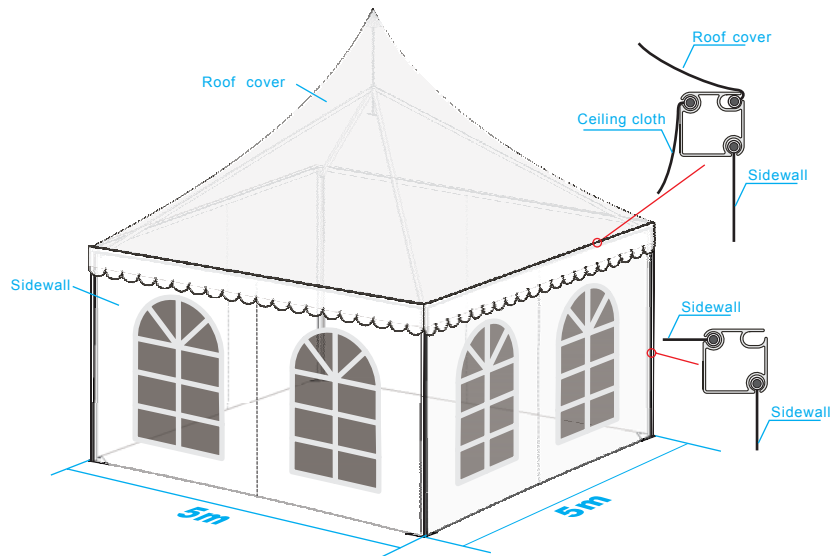
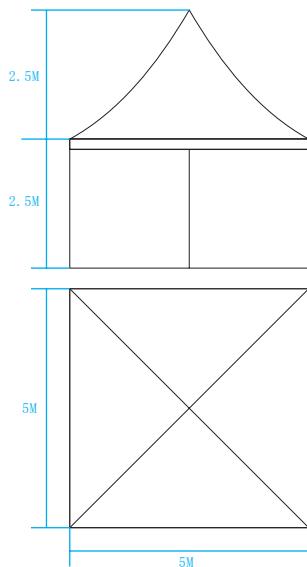
5x5m pagoda tent particular view



主要管截面 Main profile

<p>立柱 leg 横梁 roof beam</p>	<p>内部斜撑杆 bevel beam</p>	<p>中心撑杆 center pole</p>	<p>围帘压杆 sidewall downside rail</p>
--	-----------------------------	-----------------------------	--

Name of part	Size (mm)	Quantity	Material
Leg	64.5x64.5x2650	4pcs	Alu/alby
Roof beam	45x45x3600	4pcs	Alu/alby
Bevel beam	64.5x64.5x4860	4pcs	Alu/alby



Frame specifications
 Span width: 5m
 Eave height: 2.5 m
 Ridge height (internal) : 5.0m
 Roofpitch: 22°
 Longes tcomponent: 5.1m
 Windloading: 80km perhour/0.3KN

Material Specifications
 Aluminium (framework) Hardpressed extruded aluminium
 Steel (connections) European hotdipped galvanised
 PVC covering :White-high gloss Pvc flame retardant according 4102B1/B2

Optional Accessories
 PVC window walls
 Single & double door units
 Decorative lining
 Rain gutters for joining structures