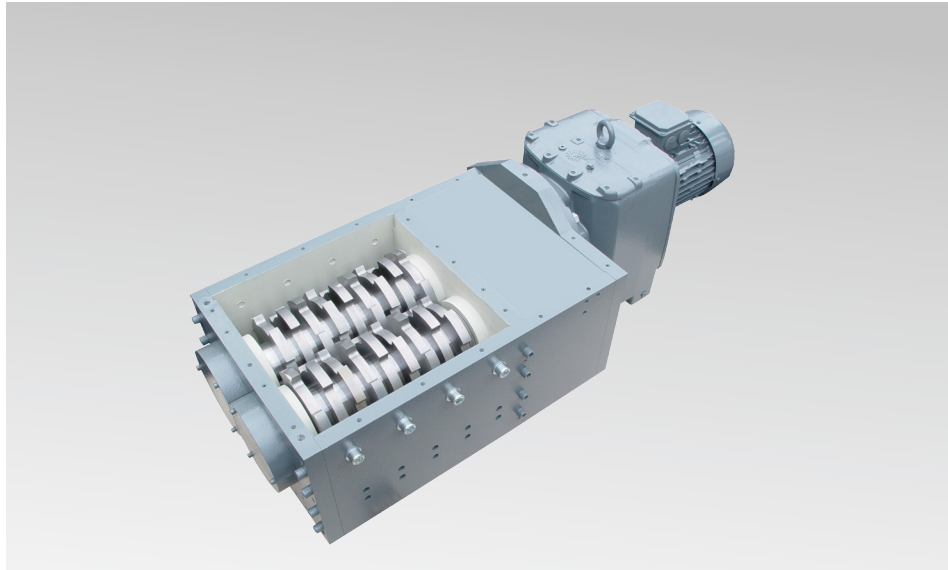


ERDWICH  
TWO-SHAFT-SHREDDER

M350/2-330  
M350/2-410



Advantages and special features:

## ERDWICH M350/2

### ■ Simple maintenance:

- | Fast access to cutter shafts
- | Individually fitted, replaceable cutters, spacing rings and sweepers

### ■ Savings on operating costs:

- | Long service life guaranteed by cutters from custom blade steel, fully hardened to permit repeated re-sharpening

### ■ Highly-efficient shredding:

- | High-precision cutter assembly with cutter shapes adjusted to the material
- | Configurable population of the cutter discs on a 6-sided shaft, ensuring optimum feed-in behaviour

### ■ High throughput – low drive power consumption:

- | Tightest-possible cutter spacing, ensuring energy-saving shredding without causing machine jams
- | Special sweeper systems with self-cleaning feature

### ■ Robust and long-lived:

- | Generously dimensioned, milled cutter shafts
- | Bulkhead seals to protect the shaft bearing from liquid and aggressive materials

### ■ Cost-effective, safe operation:

- | PLC unit featuring automated reverse and power down to protect the machine against damage from overloading or solid part

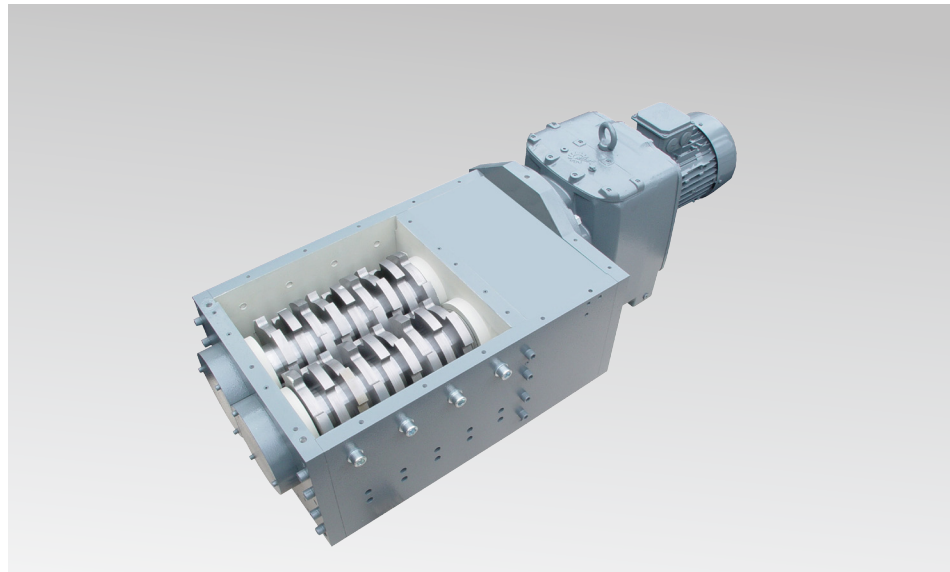


**ERDWICH**

... SHREDDING UNLIMITED ...

**ERDWICH  
TWO-SHAFT-SHREDDER**

**M350/2-330  
M350/2-410**



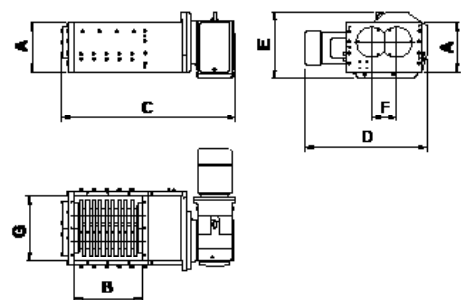
**Technical Data:**

Typ	Amount of stator knives	Driver Power	Cutting unit size (LxW mm)	Weight (kg)	Diameter of punched sieve (mm)	Width of rotor knife* (mm)
M350/2-330	2	2,2 - 4,0 kW	325 x 390	475	20 - 30	19
M350/2-410	2	2,2 - 4,0 kW	410 x 390	500	20 - 30	19

Dimensions:			
	Dimension	M350/2-330	M350/2-410
Cutting unit length B	mm	326	402
Cutting unit width G	mm	390	390
Cutting unit height A	mm	298	298
Total length C	mm	972	1048
Total length C1	mm	1306	1382
Total width D	mm	733	733
Total width D1	mm	497	497
Total height E	mm	400	400
Total height E1	mm	405	405
Shaft Distance F	mm	150	150

Subject to technical changes.

KEGELRADGETRIEBEMOTOR 3kW



STIRNRADGETRIEBEMOTOR 3kW

